



splashpanel
pvc kit

installation, care and maintenance

installer & owner responsibilities

The performance of your **SplashPanel PVC Kit** product is closely linked to the quality of the installation of it and good care & maintenance being carried out on it following installation. It is the installer's responsibility to ensure that the installation is carried out as per the following installation instructions in all respects.

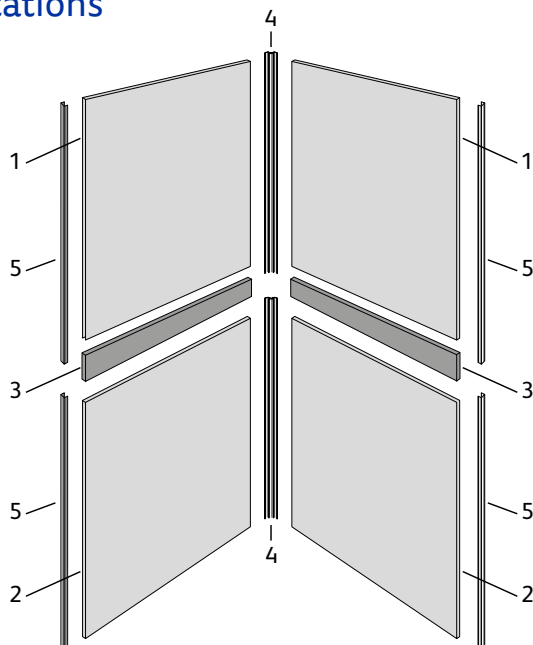
No claims for product failure will be accepted if the product is incorrectly installed and or installation errors made.

1. pre-installation procedures and product limitations

All of your PVC wall panel kit items **must be individually checked for any quality issues prior to installation of the kit** and to confirm all components are present.

Your PVC Kit contents are:

- 1 - Top PVC panels x 2
- 2 - Bottom PVC panels x 2
- 3 - Centre decorative band section x 2
- 4 - Internal corner trim x 2
- 5 - Panel edge / end caps x 4



- 2 tubes of PVC Panel Adhesive and 2 tubes of silicone sealant are required.
- Please check carefully that **the panels** are from **the same batch** prior to installation and that the panels are an acceptable colour match. A batch number can be found on the product packaging and the back of each panel.
- Check that the panels are the correct décor as ordered and are damage free.
- Slight colour variation can occur between panel sections and décors meant to replicate natural stone will vary to replicate the nature of stone.
- No claims for colour variance between panels will be accepted following installation of the panels.
- Slight “telegraphing” of the extruded sheet profile and minor lacquer imperfections can be visible at the panel surface and are characteristics of the extrusion manufacturing process and therefore normal for this product and not grounds for complaint.
- PVC wall panels are intended solely for use on internal walls only.
- PVC panels are to be installed using PVC panel adhesive and silicone sealant, it is therefore important to ensure that all surfaces to which the adhesive and sealant will be applied are **sound, clean, degreased, dust free, dry, plumb and even**. Any paints, sealers, contamination, or coatings of any kind on the intended installation surface must be checked for soundness and adhesion suitability and if in doubt should be removed before the adhesive is applied.

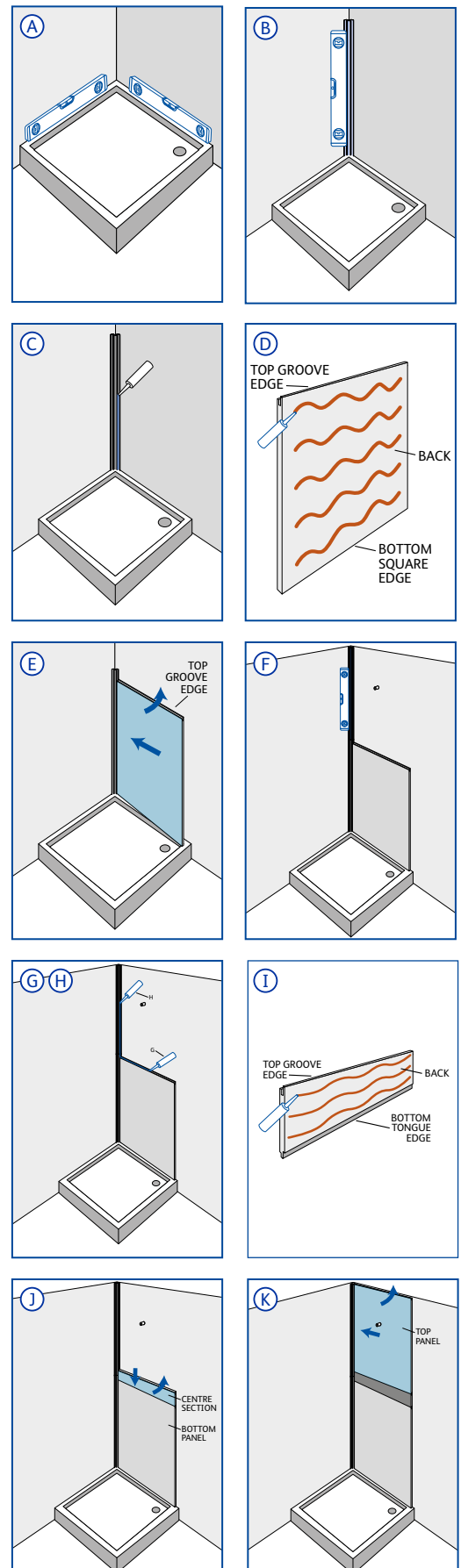
If there are any concerns regarding the PVC panels in any respect at the product checking and pre installation stage do not install the panels and contact your PVC panel supplier and advise of, and clarify, your concerns. The associated product manufacturing defect warranty will be void, and no product fault claims will be accepted, for any form of defect complained of that was visible at the point of installation.

Recommended tools, equipment & installation accessories:

- Fine tooth saw and or Utility knife
- 900mm Spirit Level
- PVC Antibacterial Cleaner
- Silicone Sealant
- PVC Panel adhesive
- Tape Measure
- Gloves & eye protection glasses

2. installation of panels and profiles

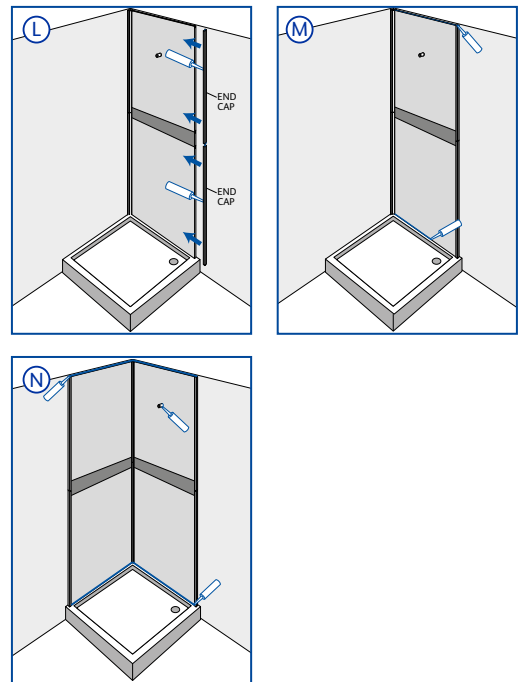
- PVC Panels can be adhered directly onto to flat, plumb, sound and smooth wall.
- If the installation sub surface is uneven carry out remedial work to ensure the walls are appropriately flat & plumb.
- Check using a spirit level that your shower tray is located level and your walls are plumb. (A)
- Installation of your PVC panels should commence by installing the bottom internal corner trim to the corner of your shower tray. Ensure the trim is firmly fixed using panel adhesive and is situated plumb. Check using a spirit level. (B)
- Check the panel width required for your particular shower, measuring from the internal recess of the corner trim allowing for the panel end cap and the shower cubicle frame width, and cut the bottom PVC panel to width if / as required. **(Note! the groove edge profile on the bottom panel is the top edge when installed!)**
- Carefully trim off the bottom tongue of the first panel so the bottom of the panel has a square edge. (D)
- Apply a thick bead of silicone sealant into the right hand corner trim channel from the bottom to the top of the trim. (C)
- Apply PVC panel adhesive in snake like patterns across the full width of the back of the base panel. (D) .Slide the left hand edge of the panel into the corner trim channel and firmly locate the panel onto the wall and showertray base. remove any excess silicone squeezed out of the corner trim as necessary. (E)
At this point check and **ensure the top edge of the panel is sitting level using a spirit level.**
- Install your 2nd upper corner trim profile with panel adhesive ensuring it is plumb. (F)
- Next cut the centre section to length if required and apply a small unbroken bead of silicone sealant into the groove profile of the base panel ready for the centre PVC section to be fitted. (G)
- Apply a further bead of silicone sealant into the right hand centre channel of corner trim from the mid point to the top of the trim. (H)
- Apply lines of PVC panel adhesive to the back of the centre section. (I)
- Insert the centre PVC section tongue into the groove of the base panel ensuring it is fully located and press firmly against the wall. remove any excess silicone squeezed from the joint before it cures. (J)
- Measure the height of the wall from the centre section face edge point to the ceiling and reduce the figure by 3mm to allow a 3mm expansion gap at the top of the panel when installed. Cut the top panel to suit the required height. **(Note! the panel tongue profile is the bottom edge)** and also cut to width as required.
- If the top panel is to be cut to allow for a shower pipe or unit, measure and cut the hole allowing an extra 3mm space around the pipe / unit.
- Apply a bead of silicone sealant into the groove profile of the installed centre PVC section.
- Apply panel adhesive in lines to the reverse of the top PVC panel and insert the top PVC panel in the same manner, locating the panel tongue into the centre section groove and corner trim. (K)



2. installation of panels and profiles (continued)

- Apply a generous bead of silicone sealant into the channel of a PVC end cap and slide the end cap over and behind the right hand edges of the installed bottom PVC panel section. (L). Remove any excess sealant that oozes from within the end cap. Repeat this for the top section. If a shower cubicle is already installed the end trims will need to be applied when installing the panels.
- Complete the right hand side installation by neatly applying a 6mm or wider line of silicone sealant to the bottom edge of the PVC panel sealing it to the shower tray base and the gap between the top edge and ceiling. (M)
- **Repeat the above process to install the left hand PVC panels and end caps.**
- Do not use the shower for 12 - 24 hours to ensure the adhesive and sealant has fully cured.

Ensure all panel bottom edges, top edges, and edges around shower trays, shower units and any pipes or cut outs are fully sealed using silicone sealant. (N) The PVC panel warranty will be void and no product fault claims will be accepted, where a problem occurs due to incorrect or inappropriate sealing of joints.



POINTS TO NOTE & BE AWARE OF:

3. cutting & handling panels

- PVC Panels should be carefully cut using a fine-tooth blade hand-saw, decorative face up.
- Always make sure when cutting panels you cut the correct edge!
- Common sense safety precautions should be undertaken when handling the panels to avoid accidents. Gloves and eye protection should be worn when cutting the panels to minimize the risk of injury.
- PVC panels are a lightweight extruded material and can indent and be damaged so care should always be taken to avoid damaging the panels.

4. lighting

- PVC panels and profiles **should not be subjected to temperatures from any source in excess of 60 degrees C**. If the panels are subjected to temperatures in excess of 60 deg C then distortion and discolouration damage may occur to its surface and as such will invalidate your warranty. **Check with a suitably qualified electrician** if any doubts exist as to the suitability, in terms of type and heat output, of any lighting or heating units that are intended to be used on, or installed into, your PVC panelling.
- When fitting any accessories or heavy items to the panel surface ensure that the screws used fix the item locate securely into the wall or battens behind the panel and they are not over tightened. The panels are a lightweight cellular PVC section product and therefore have limited strength to hold fixings themselves and can indent under excess surface pressure.

5. aftercare and maintenance

Once installed, your PVC Panels require only regular rinsing after use and occasional ongoing cleaning & maintenance.

- The panels should be rinsed after each use of your shower.
- The panels and any exposed sealants should be cleaned using PVC Antibacterial Cleaner which is available via your PVC supplier.
- **Do not use any abrasive scourers, abrasive agents or bleaches of any kind to clean this product.**
- Bottom and top edge sealants may discolour over time so occasional maintenance and replacement of these exposed sealants should be conducted as necessary.
- PVC panels have an element of resistance to both artificial and natural Ultra Violet light however the panels **are not ultimately Ultra Violet light stable** and therefore fading of panels may occur over time where the panels are subject to direct sunlight. To avoid and minimize this effect occurring it is recommended that curtains or blinds are used during periods of prolonged or intense sunlight.

6. warranty

Your PVC panelling carries a five year domestic use limited manufacturing defect warranty. Please retain your product receipt as proof of purchase as this will be required should a product fault claim be made. A copy of the warranty is available via your PVC panelling supplier.

Share there be any concerns or issues experienced with your PVC panel product contact your supplier immediately to clarify / advise of your concerns.

Disclaimer.

Please note this PVC product has limitations and manufacturing characteristics as advised above so please ensure the product is acceptable & suitable for your application and use in all respects prior to installation. The warranty advised of is only applicable to confirmed manufacturing defects excluding the advised manufacturing characteristics for an extruded PVC product. The warranty has exclusions & terms and conditions and a copy of it is available via your product supplier. Due to variations in the photographic and printing process, colours shown in this brochure may vary from the actual product. It is advisable to refer to a product sample before making your purchase.

We reserve the right to change the details contained within these instructions and specification of these products without prior notification. E&OE.